



Endorsed by

**Cancer
Council**

SHADE SAIL

PLANNING GUIDE

Use this guide to help plan, choose and install your Coolaroo shade sail



The only shade sails endorsed by Cancer Council.

An exclusive Cancer Council endorsement applies to all Coolaroo products that are designed to offer you high levels of UV protection.

Rest assured, Coolaroo helps you to...

Do the things you love, while protecting the people you love.



CONTENTS

Inspiration Gallery	4
Choosing the Right Shade Sail	5
Coolaroo Shade Sail Summary	6
Common Colour Schemes	9
Ready To Hang Shade Sails	10
Coolaroo HeatShield™ Shade Sails	12
Commercial Grade Shade Sails	14
Designer Series Shade Sails	16
Installation	18

CHOOSING THE RIGHT SHADE SAIL

Why Coolaroo?

OPTIMAL SUN PROTECTION

Only Coolaroo shade sails are Cancer Council endorsed. With Coolaroo, you can do the things you love, while protecting the people you love.

ENHANCE YOUR OUTDOOR SPACE

Coolaroo shade sails are an easy, affordable way to transform your outdoor area. Available in a range of colours, shape and sizes, they also hold shape under tension.

MADE TO LAST

With market-leading warranties up to 15 years, you can rest assured knowing you're getting superior durability for the long term.

COOLAROO HEATSHIELD™ TECHNOLOGY

The coolest experience under the sun, Coolaroo HeatShield™ technology actively reflects the sun's infrared rays to keep the fabric surface up to 10°C cooler than standard fabric.

Getting started

1 PRE-PLANNING

Measure the area you're covering. If a structure exists, measure the distance between the poles.

2 SELECTING SHAPE, SIZE AND COLOUR

You can choose from triangle, square and rectangle shapes, in sizes from 3m to 5.4m, and from a range of on-trend colours.

3 SELECTING QUALITY

Our range includes lighter weight Ready to Hang portable sails through to our Commercial Grade sails that deliver heavy duty sun protection backed by a 15-year warranty.

4 GETTING SPECIFIC

Take note of any installation requirements such as posts, fixing points or extra accessories to suit your needs.



SHADE SAIL SUMMARY



SHADE SAIL TYPE	Ready to Hang	Coolaroo HeatShield™	Commercial Grade	Commercial Grade Kit	Designer Series						
SUN PROTECTION	up to 90% UV Block	up to 90% UV Block	up to 95% UV Block	up to 95% UV Block	up to 95% UV Block						
KEY FEATURE	Portable sun protection	Fabric stays up to 10°C cooler*	Strong and durable sun protection	All-in-one for ease of installation	Two-tone fabric to enhance your outdoor space						
SHAPES & SIZES											
COLOURS											
COMPLEMENTS COLORBOND® STEEL											
WARRANTY	3 years	5 years	15 years	15 years	15 years						
OTHER INFORMATION	No poles required, can be attached to a tree or other sturdy anchor point	*Surface temperature stays up to 10°C cooler than standard fabric by reflecting infrared rays.	Widest range on offer at Bunnings with 5 sizes, 3 shapes and 3 colours to choose from	Includes accessories and strap tensioner, making installation a breeze.	More choices available from Special Orders						



COMMON COLOUR SCHEMES

The Coolaroo range offers a wide selection of colours to complement popular exterior schemes.

Traditional & new design with dark scheme



Contemporary homes



Classic Australian & Heritage homes



Neutral & coastal homes





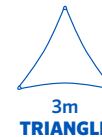
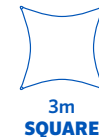
READY TO HANG

Versatile and portable Ready to Hang shade sails provide the right amount of shade wherever or whenever you need it.

Pre-attached ropes mean Ready to Hang shade sails can be used in a range of ways, including camping, picnics and other non-permanent applications.

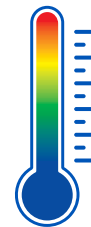
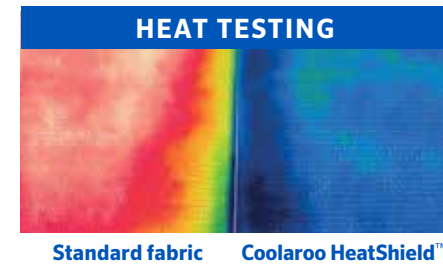
FEATURES

- 1 Up to 90% UV Block exclusively endorsed by Cancer Council
- 2 Pre attached ropes for ease of installation
- 3 Portable and lightweight shade sail in a carry bag
- 4 3-year warranty





Coolaroo HeatShield™ technology actively reflects the sun's hot infrared rays to keep the fabric surface up to 10°C cooler than standard fabric.

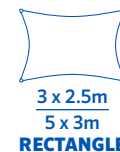


Surface remains cooler by actively reflecting hot infrared rays

Discover the coolest experience under the sun. This range combines Coolaroo's trusted durability and optimum sun protection with patented Coolaroo Heatshield™ technology to help keep you cooler underneath.

FEATURES

- 1 Up to 90% UV Block exclusively endorsed by Cancer Council
- 2 Surface temperature stays up to 10°C cooler than standard fabric
- 3 Breathable fabric
- 4 Optimum sun protection
- 5 5-year warranty





COMMERCIAL GRADE

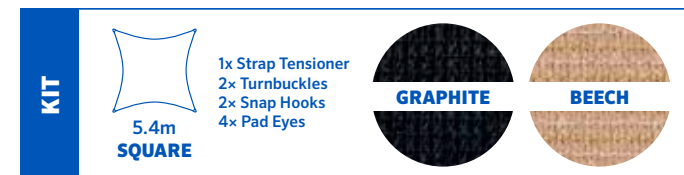
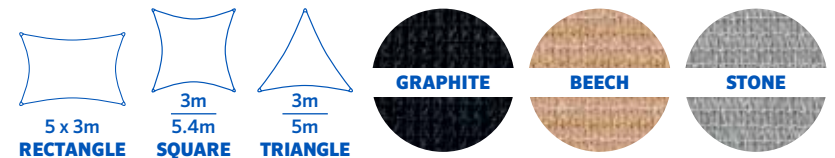
Our high-quality Commercial Grade shade sails are designed to provide many years of sun protection.

Exclusively endorsed by Cancer Council, Commercial Grade shade sails offer the highest level UV block. They feature superior durability, and are designed to hold shape under tension.

A Commercial Grade Kit is also available, it includes accessories and strap tensioner, making installation a breeze.

FEATURES

- 1 Exclusively endorsed by Cancer Council
- 2 Highest level of UV Block - up to 95%
- 3 Breathable fabric helps create a cooler environment underneath
- 4 Marine grade corners and reinforced edges for superior durability
- 5 15-year warranty for peace of mind





DESIGNER SERIES

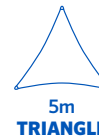
Transform your outdoor space with a Coolaroo Designer Series shade sail.

A unique two-tone fabric, 95% UV block, commercial-grade durability and a 15 year warranty ensure that Coolaroo Designer Series shade sails will continue to look great and offer superior sun protection for many years to come.

Available in a variety of shapes, sizes and colour combinations to suit most yards.

FEATURES

- 1 Exclusively endorsed by Cancer Council
- 2 Highest level of UV Block - up to 95%
- 3 Unique two-tone fabric
- 4 Breathable fabric helps create a cooler environment underneath
- 5 15-year warranty



INSTALLATION

SELECTING THE RIGHT POST

Galvanised steel or treated pine are acceptable post materials. Use TABLE 1 to determine the most suitable pole size and footing for your installation.

TABLE 1

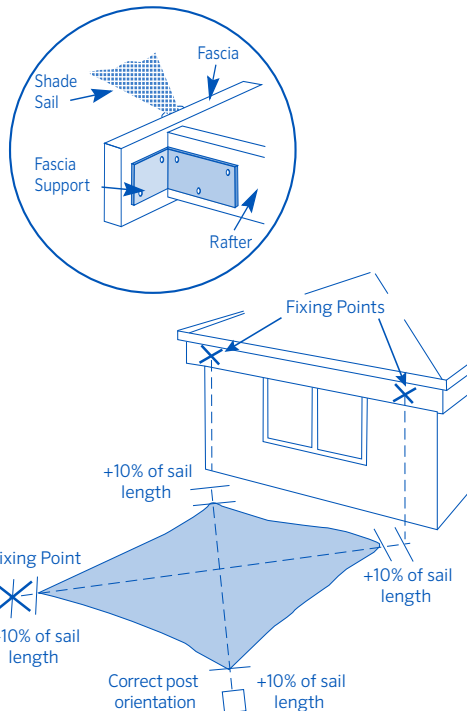
Sail Type (m)	Sail Fixing Height (m)	Treated Timber Post (mm)	Square Steel Post (mm)	Footing (mm)	Post Length (m)
Triangle Sails					Diam. = 450mm
3 x 3	2	125/F17	100 x 3	800	2.9
	2.5	125/F17	100 x 3	900	3.5
	3.5	150/F17	100 x 4	1200	4.8
3.6 x 3.6	2	150/F17	100 x 3	800	2.9
	2.5	150/F17	100 x 3	900	3.5
	3.5	150/F22	100 x 4	1200	4.8
5 x 5	2	150/F22	100 x 3	900	3.0
	2.5	150/F22	100 x 3	900	3.5
	3.5	200/F22	100 x 4	1200	4.8
6.5 x 6.5	2	200/F22	125 x 4	900	3.0
	2.5	200/F22	125 x 4	900	3.5
	3.5	200/F27	125 x 5	1200	4.8
Square Sails					Diam. = 450mm
3 x 3	2	150/F17	100 x 3	800	2.9
	2.5	150/F17	100 x 3	900	3.5
	3.5	150/F22	100 x 4	1200	4.8
3.6 x 3.6	2	150/F17	100 x 3	800	2.9
	2.5	150/F17	100 x 3	900	3.5
	3.5	150/F22	100 x 4	1200	4.8
5.4 x 5.4	2	150/F22	100 x 3	0.9	3.0
	2.5	150/F22	100 x 3	0.9	3.5
	3.5	200/F22	100 x 4	1.2	4.8
Rectangle Sails					Diam. = 450mm
5 x 3	2	150/F17	100 x 4	1.1	3.2
	2.5	200/F17	125 x 4	1.2	3.8
	3.5	200/F22	125 x 5	1.4	5.0

FIXING POINTS

Ensure all fixing points are structurally sound.

Lay the sail out in the area it is to be installed. We recommend allowing an additional 10% of the sail length on each corner for accessories and fabric stretch. If installing posts, ensure your measurements take into account the outward tilt required for each post. Confirm this before digging your post holes.

If attaching to a fascia use a fascia support to transfer the load to the primary roof structure. These are available from most hardware stores.

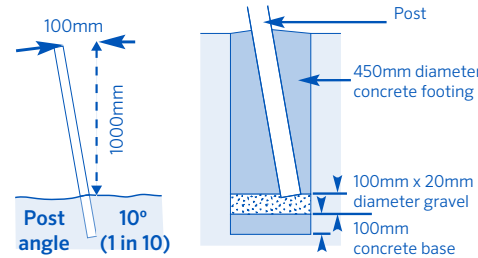


INSTALLING POSTS

Pour 100mm depth of concrete at the bottom of the hole to provide a solid pad and allow to set.

With the posts tilting on a 10° angle (1 in 10), away from the centre of the sail, add 100mm of 20mm diameter gravel and temporarily brace it into position.

Pour concrete to the top of the footing hole and ensure it is packed well.



To enable suitable water run-off the height difference from the low points to the high points should be at least 16% of the longest side. Refer to TABLE 2.

TABLE 2

Regular Shade Fabric	
Longest Side	Height Difference
3m	0.5m
3.6m	0.6m
5m	0.8m
5m	0.8m
5.4m	0.9m
6.5m	1.0m

ATTACHING THE SAIL

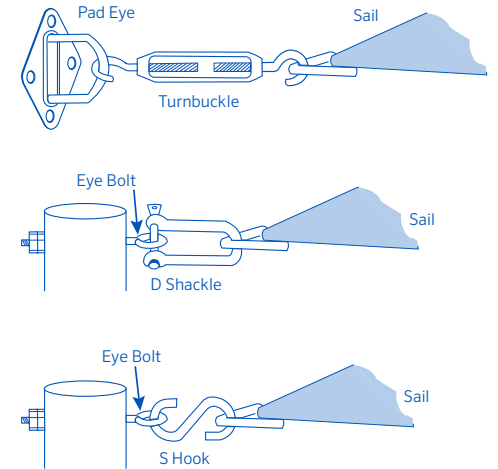
Ensure all fixing points are structurally sound and fixings are tightly secured.

Ensure that at least two of the sail's fixing points include a turnbuckle for tensioning purposes. A Coolaroo Strap Tensioning Tool will assist in drawing the shade sail toward the post for easier connection.

You can also use chain to extend your shade sail to a fixing point, if required.

Select the fixing accessories that best suit your installation.

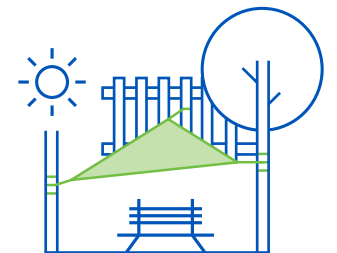
Stop tensioning when the shade sail is rigid with little or no creases and does not sag. Avoid over-tensioning as this will put unnecessary stress on fabric and stitching.



INSTALLING READY TO HANG SHADE SAILS

Identify three stable attachment points that can withstand occasional windy conditions - for example, temporary or permanent posts, structures or stable fencing.

Attach ropes to a strong, well-established tree or other sturdy anchor point.





Endorsed by

**Cancer
Council**

This information is to be used as a guide only. Installation requirements can vary depending on factors such as soil types, anchor points, wind conditions, local planning and building regulations etc. Before commencing your installation you should consult a qualified builder or engineer and contact your local council to ensure you are meeting all structural and legal requirements for a safe and long-lasting shade structure.

EFFECTIVE UV PROTECTION

While creating a shade environment goes a long way towards protecting yourself from harmful UVR it should not be used as the sole source of sun protection. UVR can penetrate through many objects that cast a shadow and can also reflect off surfaces such as sand, water and snow. For this reason it is important to follow sun smart guidance from the Australian Cancer Council in always wearing sun protective clothing (including a hat and sunglasses) and applying appropriate sunscreen, when spending time outdoors. This will ensure the most effective protection for your skin.

CARE INSTRUCTIONS

Inspect your shade sail regularly and re-tension as necessary to remove any slack.

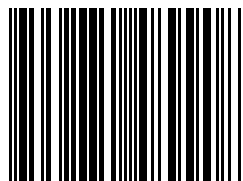
Your shade sail(s) may be cleaned at any time using a solution of mild detergent and water. Apply the solution with a sponge or a very soft brush. Let the solution stand on the fabric for 10 minutes and then rinse thoroughly with water from your garden hose.

Gale Pacific Limited

Australia Toll Free: 1800 331 521

Coolaroo is a registered trademark of Gale Pacific Limited

489908 Coolaroo Shade Sail Planning Guide 09/23



0 799870 489908



coolaroo.com